



BTI
INTEGRATED
DISTRIBUTION
PARTNER

SOLAR CATALOGUE 2026

CONFIDENCE OF SUPPLY. PEACE OF MIND. ALWAYS.

www.btindustries.co.za

INTRODUCTION

RENEWABLE ENERGY DELIVERED CONFIDENTLY

Built on Experience. Engineered for Renewable Energy.

The global shift toward renewable energy is accelerating. Across South Africa and the African continent, solar installations are expanding rapidly - from residential rooftops to large-scale commercial and utility projects.

But while technology continues to evolve, one factor remains critical to project success: **reliable, structured supply.**

Solar installations depend on mounting systems, fasteners, and installation components that must meet strict specifications, withstand harsh environmental conditions, and be available exactly when projects demand them. Delays, quality inconsistencies, or supply chain disruptions can quickly compromise timelines, budgets, and performance.

This is where **BT Industries** delivers certainty.

With **more than 65 years of experience**, BT Industries has built a reputation as a trusted **Integrated Distribution Partner**, solving complex supply challenges across industries including automotive, industrial manufacturing, mining, aftermarket distribution, and renewable energy.





More Than a Supplier. A True Integrated Distribution Partner.

BT Industries operates far beyond traditional product distribution.

As an **Integrated Distribution Partner (IDP)**, we assume responsibility for the entire value chain - from technical validation and global sourcing, through planning, quality assurance, stockholding, and delivery at the point of use.

Our discovery-led approach - what we call **Solutioneering** - enables us to diagnose requirements accurately, refine specifications, custom tailor design and source the right components from the right global manufacturing partners.

With a dedicated sourcing presence in China and a trusted global supplier network, we combine **international manufacturing strength with local accountability**, ensuring customers benefit from structured supply, consistent quality, and dependable delivery.



Quality You Can Count On.

In solar installations, component integrity is non-negotiable.

Every mounting component, fastener, and installation element must perform reliably for decades under demanding environmental conditions.

BT Industries applies rigorous **quality assurance processes across sourcing, manufacturing, and delivery**, ensuring every component meets required industry standards and durability expectations.

Our teams understand the structural demands of solar installations - from wind load dynamics and corrosion resistance to material specification and system alignment - ensuring that every product supplied is **fit-for-purpose and built to perform**.

In renewable energy infrastructure, **quality is not optional. It is foundational.**



The Partner Behind the Project.

BT Industries is trusted by leading organisations across Africa because we combine:

- **65+ years of supply chain expertise**
- **Global sourcing capability with local operational strength**
- **Technical understanding of regulated industries**
- **Structured stockholding and dependable delivery**
- **A solution-driven mindset focused on solving real supply challenges**



Through our renewable energy division, and in partnership with global technology leaders, we support solar projects across **C&I and utility-scale projects applications**.

Whether supplying mounting systems, fasteners, or installation hardware, our role is simple: **to ensure the right components are available, when and where they are needed - with complete confidence**.

Confidence of Supply. Peace of Mind. Always.

Every component featured in this catalogue forms part of the structural backbone of solar installations.

Behind each one stands the same BT Industries commitment: **disciplined sourcing, proven quality, and reliable supply - delivered with the urgency and accountability required to keep projects moving forward**.

Our Guarantee:

- **Specification Compliance:** All products meet ISO 12944, IEC 61215 & IEC 62817 standards
- **Durability & Corrosion Resistance:** All materials supplied are engineered and treated for long-term environmental performance
- **Load Resistance Knowledge:** We understand wind load dynamics and panel weight to ensure structural integrity
- **Electrical System Alignment:** For complex mounting systems, we consider and align with electrical and layout requirements
- **Proven Quality Control:** We conduct rigorous QA inspections across sourcing, manufacturing, and delivery

SOLAR PRODUCT CATALOGUE OVERVIEW



ALUMINIUM ROOF RAILS

PRODUCTS UNDER THIS CATEGORY:

- Solar aluminium roof rail
- External Splice
- Internal Splice
- Mini Rail

LENGTHS AVAILABLE:

Solar aluminium roof rail:

- 3600/4200/4750mm
- 3600/4200/4400mm
- Or customised

External Splice:

- 150/200mm

Internal Splice:

- 120mm

Mini rail:

- 380mm

MATERIAL:

AL6005-TS / Q235B

THICKNESSES AVAILABLE:

1.0; 1.2; 1.3; 1.5; 2.0; 2.5mm

SURFACE FINISH:

Silver/Black Anodised/HDG



ALUMINIUM CLAMPS

PRODUCTS UNDER THIS CATEGORY:

- Mid-Clamps
- End Clamps

LENGTHS AVAILABLE:

- 5.5 – 9mm
- 30mm
- 35mm
- 40mm
- 45mm

MATERIAL:

AL6005-TS

THICKNESSES AVAILABLE:

40; 80 & 150mm

SURFACE FINISH:

Silver/Black Anodised



METAL ROOF CLAMPS

PRODUCTS UNDER THIS CATEGORY:	<ul style="list-style-type: none"> • Cleat Clamps • Kliplok Clamps • Saflok Clamps 	LENGTHS AVAILABLE:	<ul style="list-style-type: none"> • 40mm • 50mm • 100mm • 110mm • 82 x 30mm
MATERIAL:	<ul style="list-style-type: none"> • SUS304/A2-70 • AL6005-T5 		
SURFACE FINISH:	Shot blasting & Anodized		



CABLE CLIPS & GROUNDING CLIPS

PRODUCTS UNDER THIS CATEGORY:	<ul style="list-style-type: none"> • Cable Clips • Grounding Clips 	LENGTHS AVAILABLE:	<ul style="list-style-type: none"> • 10x19mm • 10x23mm • 12.5x25mm • 12x20mm • 18x21mm • 18x32mm • 20x40mm • 30x32mm • 50x42mm • 70x40x15mm • 200mm
MATERIAL:	<ul style="list-style-type: none"> • SUS304/A2-70 • AL6005-T5 • Copper (Cu) 		
SPEC:	1 – 2 and 1 – 4 cables		



SOLAR MOUNTING FASTENERS

PRODUCTS UNDER THIS CATEGORY:

- Fasteners
- Rail Nut
- M8 Aluminium Nut
- M8 Stainless Steel Nut
- M8 Carbon Steel Nut
- M8 Ball Nut
- BI-Metal Self-Tapping Screw
- Solar Nut U-Rail
- Solar Rail Nut
- Solar Hex Bolt

MATERIAL:

- SUS304/A2-70
- Q235B + Dacromel
- S/uS410
- AL6005-T5

LENGTH/SIZE:

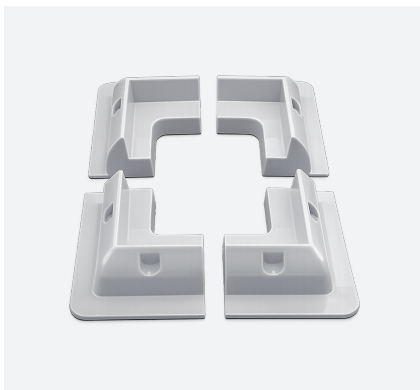
- 20 x 50mm
- 38mm | 80mm
- 5x25mm
- 26mm
- M6x25mm
- 20mm | 25mm

LENGTHS AVAILABLE:

- 10x19mm
- 10x23mm
- 12.5x25mm
- 12x20mm
- 18x21mm
- 18x32mm
- 20x40mm
- 30x32mm
- 50x42mm
- 70x40x15mm
- 200mm

STANDARD

- DIN 912
- DIN933
- DIN 557
- DIN 934
- DIN 6923



SOLAR MOUNTING ACCESSORIES

MATERIAL:	<ul style="list-style-type: none"> • ABS • AO16005-T5 • Tinned Copper • AL5052 • PPO 	SPEC:	<ul style="list-style-type: none"> • 550mm • 680mm • 305 x 205mm • 4mm² • 6mm²
COLOUR:	Black White	SURFACE FINISH:	Anodised
SIZE:	<ul style="list-style-type: none"> • 50.5 x 62 x 30mm • 100 x 65 x 42mm • 100 x 62 x 29mm 	NOTES:	For Cable: 2.5 – 6mm Rated Voltage: 1000V



TILE ROOF HOOKS

MATERIAL:	SUS304/A2-70	HOOK PLATE:	<ul style="list-style-type: none"> • 140 x 50mm • 180 x 50mm • 200mm • 286mm
SURFACE FINISH:	Shot blasting		



ADJUSTABLE METAL ROOF MOUNTING

MATERIAL:	AL6005-T5	ADJUSTABLE ANGLE:	• 10° - 15°
SURFACE FINISH:	Anodized		• 15° - 30°
			• 30° - 60°



RAILLESS METAL ROOF MOUNTING

MATERIAL:	AL6005-T5	HEIGHT:	• 30mm
SURFACE FINISH:	Anodized		• 45mm
		LENGTH:	• 120mm
			• 380mm



PITCHED METAL ROOF MOUNTING

PRODUCTS UNDER THIS CATEGORY:

- Pitched roof mounting
- Wire with Lugs
- Hanger Bolts

MATERIAL:

- AL6005-T5
- SUS304/A2-70
- 1022A
- SUS410

SURFACE FINISH:

- Anodised
- Zink-nickel alloy coating

SIZE/LENGTHS AVAILABLE:

- 40 x 40 x 80mm
- 40 x 40 x 150mm
- 200mm/250mm/300mm
- 200mm

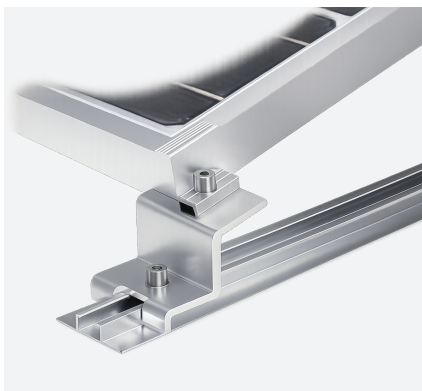
ADDITIONAL NOTES:

Pitched Metal Roof Mounting:

- Self-drilling screw for steel purlin (SUS410)
- Self-tapping screw for wood purlin (Q234B with dacromet coating)

Hanger Bolts:

- For wood purlin
- With self-drilling tip for steel purlin
- With self-drilling tip for steel purlin



F1 FLAT ROOF BALLASTED MOUNTING SYSTEM

TILT ANGLE:	10° 15° Customised	COMPONENTS:	• Rail
SOLAR PANE WIDTH:	992 - 1150mm		• Rail splice
SOLAR PANE THICKNESS:	30 - 45mm		• EPDM pad
SOLAR PANEL ORIENTATION:	East-West South		• Front leg
MATERIAL:	AL6005-T5 & SUS304		• Rear leg
			• End clamp
			• Steel-ballasted pan
			• Aluminium-ballasted pan
			• Wind shield



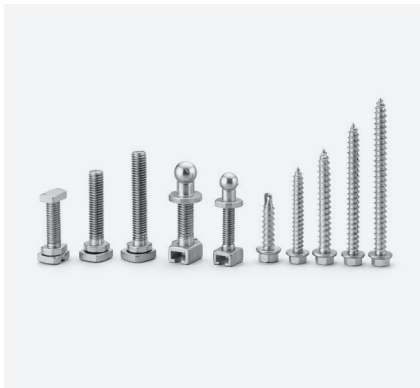
BALCONY MOUNTING BRACKET

ADJUSTABLE ANGLE:	20° - 50° 10° - 30° Customised	COMPONENTS:	• Rail
MAXIMUM SOLAR PANEL WIDTH:	1150mm No Limit		• Rail splice
SOLAR PANE THICKNESS:	30 - 45mm		• EPDM pad
SOLAR PANEL ORIENTATION:	Landscape		• Front leg
MATERIAL:	AL6005-T5 & SUS304		• Rear leg
			• End clamp
			• Steel-ballasted pan
			• Aluminium-ballasted pan
			• Wind shield



STEEL GROUND MOUNTING SYSTEM

MATERIAL:	<ul style="list-style-type: none"> • Q235B • Q235/SCS • SCS 	SIZE:	<ul style="list-style-type: none"> • 41.3 x 62mm • 41.3 x 41.3mm • 41.3 x 21mm • 50 x 60mm/ 40mm/ 23mm • 48x63mm • 160x60mm • 30 -n 45mm • M10 x 30mm
THICKNESS:	<ul style="list-style-type: none"> • 1.5mm/2.0mm/2.5mm • 200mm • 150m 	NOTES:	For Solar Panel:
SURFACE FINISH:	<ul style="list-style-type: none"> • HDG • Zinc-aluminium-magnesium coating • HGD/Zinc-aluminium-magnesium coating • Anodised 		<ul style="list-style-type: none"> • 30 – 45mm • M10 x 30mm



GROUND SCREWS

MATERIAL:	Q235	LENGTH:	600 – 4000mm
SHAFT DIAMETER:	48 – 89mm	SURFACE FINISH:	Hot dipped galvanised
D	L1	L2	W
60mm	550mm	130mm	71mm
60mm	550mm	130mm	91mm
60mm	730mm	130mm	71mm
60mm	730mm	130mm	91mm
60mm	865mm	130mm	71mm
60mm	865mm	130mm	91mm



CONFIDENCE OF SUPPLY. PEACE OF MIND. ALWAYS.

CONTACT US

VANESSA CHETTY

BT Industries - Renewable Energy Divisional Head

Tel: 011 - 397 7722 (JHB) | 031 - 461 2751 (DBN) | Cell: 084 - 459 5025

www.btindustries.co.za